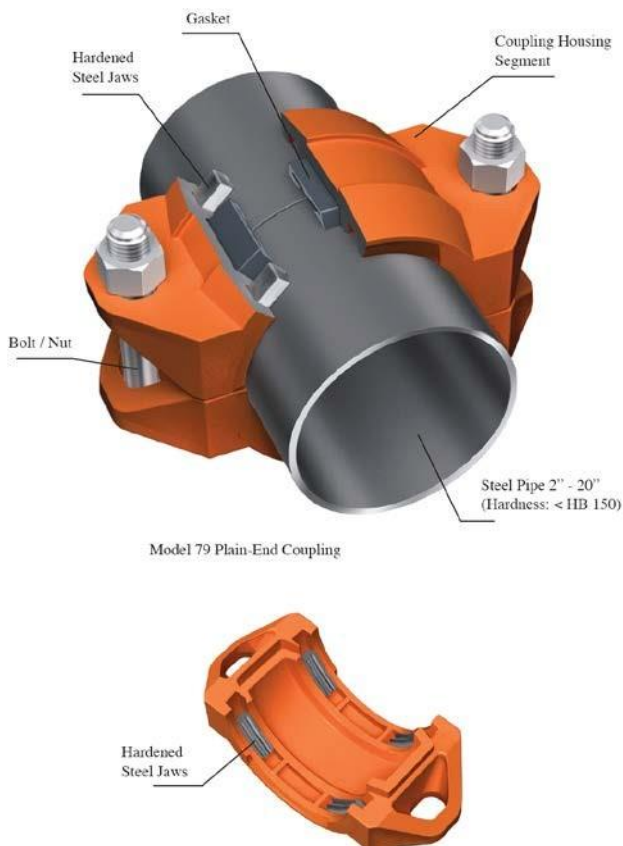


## SHURJOINT PLAIN-END PIPING SYSTEMS

No grooving, welding, or threading required

The Model 79 "Wildcat" coupling is designed to mechanically join steel pipe. The couplings feature casehardened\* jaws that securely grip the pipe incorporated with heavy duty ductile iron housing segments and heavy duty bolts and nuts. The C-shaped gasket effectively seals the pipe ends. (\* For sizes larger than 14" (350 mm), jaws are made of 17-4PH stainless steel.)

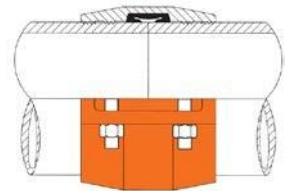


Model 79 Plain-End Coupling

- Recommended for use on steel pipe with hardness less than HB 150.
- Not recommended for plastic, HDPE, cast iron or brittle pipe.
- Pressure ratings up to 750 psi (52 bar) depending on sizes.
- Available in sizes 2" through 20" (50 mm through 500 mm).
- Hardened steel jaws can be replaced and the coupling can be used again and again.



### Plain-End HDPE Coupling



The *Shurjoint* HDPE series couplings provide fast and easy installation of HDPE (high density polyethylene) pipe. A series of sharply machined teeth positively grip the HDPE pipe. The C-shaped gasket effectively seals the pipe ends. These couplings can eliminate the need for costly heat fusion equipment, solvent joining and complicated and or expensive adapters.

- Recommended for HDPE pipe, DR 32.5 - 7.3.
- Not recommended for PVC or other materials.
- Pressure ratings are limited to the SDR of the HDPE pipe being connected (HDPE couplings are designed to hold much higher pressures than the HDPE pipe being connected).
- Available in sizes 2" through 20" (50 mm through 500 mm).

The *Shurjoint Models M21, 7721, M22 and 7722 mechanical tees* can be used on HDPE pipe of ASTM standards\*. (\*Not applicable to HDPE pipe of ISO standards.)